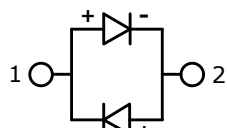
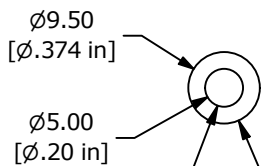


CUTOUT
MAX. PANEL THICKNESS
6.0 [.24 in]



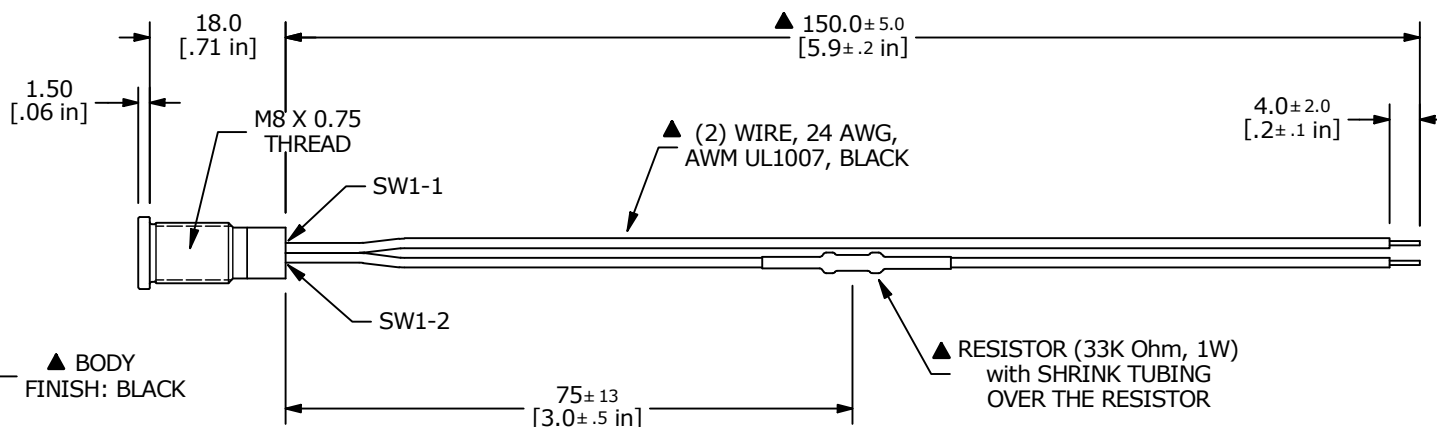
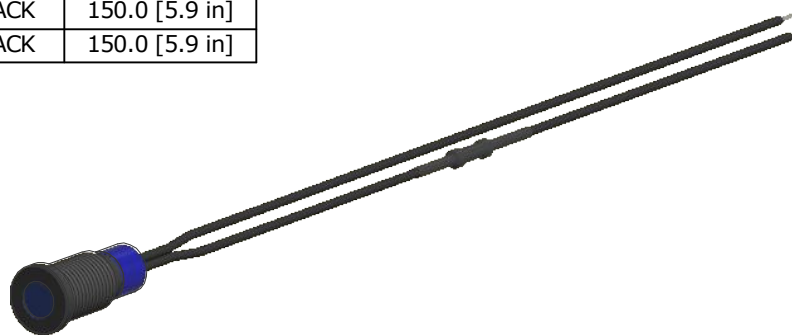
LED SCHEMATIC
BLUE LED



▲ ILLUMINATION
COLOR: BLUE

▲ BODY
FINISH: BLACK

ADAPTER	WIRE	LENGTH
SW1-1	WIRE, 24 AWG AWM UL1007, BLACK	150.0 [5.9 in]
SW1-2	WIRE, 24 AWG AWM UL1007, BLACK	150.0 [5.9 in]



NOTE:

1. ALL DIMENSIONS IN MM [INCH]
2. GENERAL TOLERANCE: X.X = ±0.4
X.XX = ±0.25
3. TERMINAL NUMBERS FOR REF ONLY
4. OPERATING TEMP: -25°C to 55°C
5. CURRENT RATING: 2mA-20mA
- ▲ 6. LAMP VOLTAGE: 110V
7. IP RATING: IP67
8. ▲ DENOTES CRITICAL PARAMETER.
- ▲ 9. HARDWARE SUPPLIED: O-RING AND HEXNUT



B	24493	correct body finish	9/16/20	MW
A	24095	NEW RELEASE	11/18/19	MW
REV	PCR NO	DESCRIPTION	DATE	BY

TITLE PVL08FW146				
SCALE 1:1	DATE 11/12/2019	DR MW	DWG 52-PVL08FW146	REV B